



CLASSIC ELEGANCE,  
MODERN INNOVATION

Castia Stone, Inc. | [www.castiastone.com](http://www.castiastone.com) | 817.680.5733

# “Olde World Charm Meets New World Technology”

## CONTENTS

FEATURES & BENEFITS	2
FLAME CUT FINISH	3
SLATE & FLAT TILES	4-5
RANDOM & CLASSIC CHISELED STONE	6-7
MOLDINGS	8
ACCESSORIES	9
COMMERCIAL APPLICATIONS	10

### *Stand out from the rest.*

You're looking for quality and beauty that lasts. Easy to install and maintain, Castia Stone provides distinct advantages over traditional veneer stone. Beyond its aesthetic appeal and classic look, Castia Stone incorporates unique high-tech performance characteristics.

With Castia Stone's innovative “rainscreen” technology, trapped moisture, dry rot and mold are avoided. Extensive product development and testing has led to proven strength of the Castia Stone system. Couple this with a limited lifetime warranty, and you have the assurance that your home will withstand the elements and remain beautiful for years to come.

With innovation like this, it is easy to see why Castia Stone can be so beneficial.

At Castia Stone, we're constantly growing and innovating. Check us out at [www.castiastone.com](http://www.castiastone.com) to learn more about our company and other innovative products.

**RIGHT:** This home's stunning three tiered back porch is framed with Castia Stone details of column caps and arches.



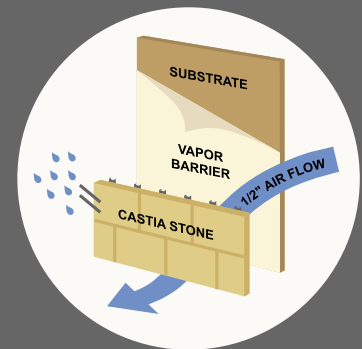
# FEATURES & BENEFITS

## *Looks Good. Protects Better.*

The hallmark of the Castia Stone siding system is the “rainscreen” design which allows proper moisture drainage and ventilation. When installed properly, the Castia Stone siding system will deflect any moisture directed at the building. If moisture does penetrate the siding, it will be channeled directly outward, thanks to Castia Stone’s innovative bracketing system that creates a continuous 1/2” gap between the siding and the actual structure. This air space prevents trapped moisture, which can lead to dry rot and mold.

Trapped moisture is the leading cause of structure failure. Other products, like stucco, wood siding and natural stone, do not feature space for venting and draining. Moisture may not only enter from the outside, but condensation from inside may also migrate from the building interior and become trapped between the structure and exterior façade. The Castia Stone siding system allows any moisture that travels through the walls to vent outwards. Pre-cast stone has been used in construction for hundreds of years with proven strength and durability. Castia Stone is manufactured to withstand the abuse of natural elements such as rain, hail and ultraviolet rays.

## *The “Rainscreen” Advantage*



## *The Castia Stone Advantage.*

The advantages to Castia Stone are many. We give you a wide selection of accessories, including fluted columns, and our designs were created to reflect an old-world elegance. Castia Stone is easy to install, environmentally friendly and protects your home with a unique rainscreen technology.

- Exterior stone surface is coated with a clear, water-repellant sealer
- Color permeates throughout the stone
- Designed to be flexible to prevent cracking and mortar problems
- Innovative bracketing system is easy to install, saving time and labor
- Increases the value of your home
- Limited Lifetime Warranty



**LEFT:** With Castia Stone, transform your entryway into one of elegance and style.

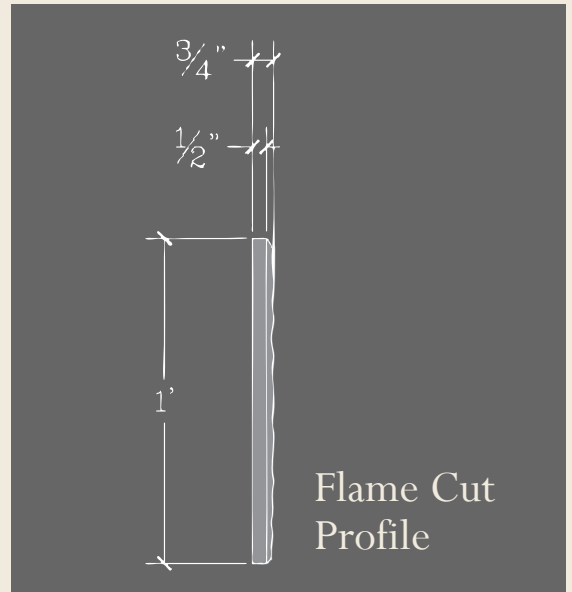
# FLAME CUT FINISH

For years, traditional stone masons have been able to produce a very unique and appealing surface on natural stone by applying a high temperature flame to the surface of the stone. This process actually fractures the crystals on the face of the stone leaving a beautifully textured finish. These stones are typically sold in most markets as a premium finish. As a result, not many projects can afford to incorporate it into their building designs.

Now, Castia Stone has developed a process to replicate this finish in our concrete siding products. Castia Stone mirrors the look of natural flame cut stone and provides you with a premium finish and feel unlike any other product, natural or synthetic. Combined with our innovative “rain screen technology” and mortar-less installation, our new flame cut finish will provide years of functionality and add a sense of true elegance to your next project.

**Top:** The Flame Cut texture provides an intricate, hand-worked elegance that demands a closer look.

**Middle:** The Flame Cut seamless texture looks stunning in any color from any angle.



## *Colors, Caulking and Finishing*

Castia Stone comes in a variety of colors. Custom colors are also available. Ask your local Castia Stone retailer for the Color Selection Sheet to see all your choices.

All seams of Castia Stone are caulked with a commercial sealant (caulking) and coated with sand which gives a mortared appearance. This caulking is specially formulated for use with pre-cast concrete and a variety of color options are available. It allows for expansion and contraction at the joints and also provides added protection against water. We recommend that you inspect the sealants once a year and clean the surface thoroughly at least once every five years.

## *Castia Stone Installation*

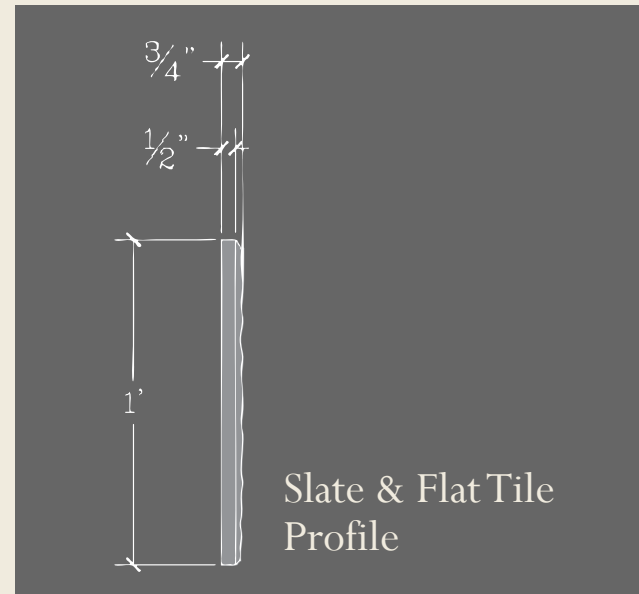
Castia Stone products should be installed by a certified installer whenever possible. For installation instructions and details, download the installation brochure at [www.castiastone.com](http://www.castiastone.com).

# SLATE TILES



Castia Stone has improved the joint design on the original slate and chiseled product lines to enhance its look and performance.

Slate Tile siding can be applied as a full-wall siding system, usually for large surfaces. It can also be used above wainscot trim. The surface texture resembles natural slate.



**LEFT:** Slate tiles were used to enhance the beauty of this home.  
**ABOVE:** Matching molding gave the outside of the home a finished look.



Before



After

### *Transformations in Style*

This house was just like any other in the neighborhood before Castia Stone was installed. As a stucco renovation using molding in Desert Sand, the homeowner wanted a less yellow color. So we created a new color called Sandstone. By mixing the two on the home, the overall effect was dramatic.

When finished the owner declared, *“Castia Stone was the best decision I made.”*

## FLAT TILES

Flat Tile siding is the one of the latest additions to our product line. Its smooth surface blends well with commercial applications and contemporary architecture.

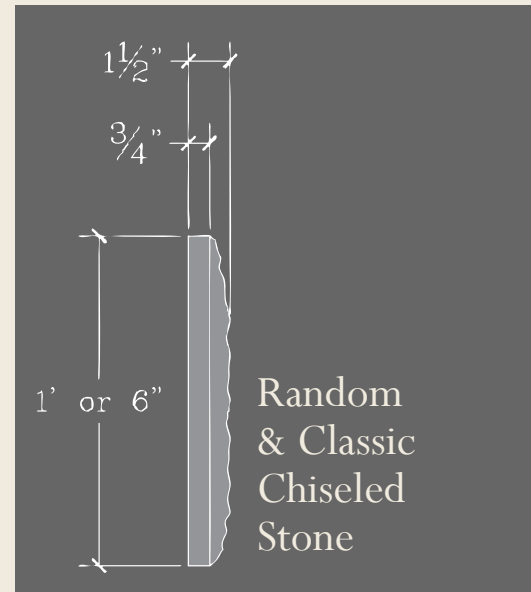


# RANDOM CHISELED STONE



Castia Stone has also improved the joint design on the original slate and chiseled product lines to enhance it's look and performance.

Chiseled Stone siding comes in both random and classic patterns and can be used as a full wall siding system or as a wainscot. The uniform-sized pieces can also be used as pillars. The surface resembles a natural, lightly chiseled stone.



**ABOVE:** Random Chiseled Stone with the Castia Stone moldings gave the windows and entryway a stunning look.

**RIGHT:** Matching molding around the windows shows off the beautiful craftsmanship.

# CLASSIC CHISELED STONE

Castia Stone's Classic Chiseled Stone provides a worn, softer look than the Random. This antiqued appearance lends itself to designs that evoke the days of classic European villages and cottages, but is modern enough to be combined to create a look with sophistication.



## *Create Your Dream*

In order to create the lodge style that this homeowner wanted, Classic Chiseled Stone in Charcoal was selected for the base of the home. With Castia Stone as an elegant visual anchor, the primed board and cedar siding that was added to the upper portion completed their dream look.

**RIGHT:** Using two textures of Castia Stone can break up a large expanse of wall. Here slate tiles and classic chiseled stones create a defined look.





# MOLDINGS

Castia Stone has a large selection of window and door trim moldings. Molding #1 and Molding #3 are classical in profile while Molding #2 is most often used in more rectilinear designs. Window sills, cornices, base stones and plinth ends are also options to add finishing touches.



**ABOVE:** Molding #1 creates this graceful arch with slate tiles.

**MIDDLE:** Molding #2 and Slate Tiles frame this window perfectly.

**BOTTOM:** A Plinth base creates an old world look for this entryway.



## MOLDING #1



## MOLDING #2



## MOLDING #3



## WINDOW SILLS



## CORNICES



## BASE TRIM AND PLINTH ENDS



# ACCESSORIES



## *It's All in the Details*

**ABOVE:** A block paired with a fixture beckons old-world charm to the entryway.

**BELOW:** Adding caps and molding turns the ordinary into something special. This mailbox is now a big part of the home's curb appeal.



## *Finishing Touches*

Castia Stone provides a wide selection of accessories designed to reflect old-world elegance. Choose from an array of corbels, address blocks, vents, lighting blocks, fluted columns, walls and keystones to provide a custom look.

### BLOCKS



### CAPS



### COLUMNS



### KEYSTONES



# COMMERCIAL APPLICATIONS

## *Not Just For Homes...*

Castia Stone can lend its elegance, charm and durability to any building or business.

**Below:** Located in the heart of Seattle on Capitol Hill, the Bellagio Condominiums showcase a combination of modern living and traditional charm. Castia Stone Classic Chiseled siding was installed on the Bellagio for rain protection and classic architectural values.



**Above:** Serving healthy, delicious Mediterranean fare is their specialty, so it seemed natural when this restaurant chain in Seattle, WA, decided to use Castia Stone Flat tiles and Molding #2 to capture the nuances of their establishment.



**Above:** This condominium renovation was completed using Castia Stone Slate tile and accented with moldings in a lighter color. Castia Stone's Random Chiseled Stone was also used as an accent on build outs and a wainscot around the building. With finishing touches of keystones and address blocks, Castia creates an elegant new appearance.

*Create Your Dream Home With Castia Stone*



Available in your area through:



CASTIA STONE  
WWW.CASTIASTONE.COM  
INFO@CASTIASTONE.COM

©1/2012 CASTIA STONE INC.